



भारतीय प्रौद्योगिकी संस्थान
INDIAN INSTITUTE OF TECHNOLOGY
(काशी हिन्दू विश्वविद्यालय)
(BANARAS HINDU UNIVERSITY)

रासायनिक अभियांत्रिकी एवं प्रौद्योगिकी विभाग
DEPARTMENT OF CHEMICAL ENGINEERING & TECHNOLOGY
(उच्चानुशीलन केंद्र एवं डी एस टी प्रायोजित 'फिस्ट' विभाग)
(CENTRE OF ADVANCED STUDY & DST DEPARTMENT UNDER FIST)
(वाराणसी - 221004) Varanasi - 221005

QUOTATION ENQUIRY

Ref: ChE/2019-20/QTN/ 157

Posting Date: 07.01.2020

Tender Closing Date: 29.01.2020

Date 07.01.2020

Tender Opening Date: 30.01.2020

Dear Sir,

Please submit your lowest rate for supplying the under mentioned items. Quotations in duplicate reach us before the date marked above and should contain the following information:

1. Full specification and make of the item offered and its rate F.O.R. Varanasi.
2. Sales Tax/GST at concessional rate as applicable to educational institution.
3. Your VAT/GST registration number, PAN&TAN numbers.
4. Conditions of supply and terms of payment.

If you are a manufacture of the item or if you have proprietary right over it, please mention it in the quotation and provide a certificate.

5. Please mention your agency commission in Indian Rs., if applicable (in case of imported items).
6. Please give undertaking as per annexure-I-B

Quotation must be sent in a **Sealed Envelope** with word "QUOTATION", our reference number, and due date as given above, clearly marked over it.

S. No.	Item	Specification	Qty
1	Densitometry Setup	Details Sepcification with Drawing is attached.	01

N.B: Other terms & conditions pertaining to item mentioned above, shall be mentioned below:

The sealed quotations will be opened on 30.01.2020 at 03.00 PM in the office of the Head, Department of Chemical Engineering & Technology, IIT(BHU) (This is mandatory in case of e-publishing)

R.K. Upadhyay

Dr. Rajesh Kumar Upadhyay
Principle Investigator &
Associate Professor
Chemical Engg & Tech

सह प्राचार्य
Associate Professor
रासायनिक अभियांत्रिकी एवं प्रौद्योगिकी विभाग
Dept. of Chemical Engg. & Tech.
भारतीय प्रौद्योगिकी संस्थान
Indian Institute of Technology
काशी हिन्दू विश्वविद्यालय
Banaras Hindu University
वाराणसी, Varanasi-221005



एक कदम स्वच्छता की ओर

Fax (फैक्स): 091-0542-2368092; Email : head.che@itbhu.ac.in

☎ 0542-2368092, 6702029, 6702024

Densitometry Setup

Department of Chemical Engineering and Technology, IIT (BHU) Varanasi wants to float an inquiry to fabricate Densitometry setup with Perspex column. The detail specification with figures are given below:

- Length of the column should be 1.5 to 1.8m.
- Three Perspex column of diameter should be 20 cm, 10 cm, 15 cm.
- Material of the tank should be acrylic (Transparent).
- Number of the detector arrangement should be 16 Nos.
- Column should be supported from top also to reduce vibrations.
- As per attached Figure (a) 1) is indicate the column, 2) Square Detector plate 3) Detector.
- As Per attached Figure (b & C) for the detector holder top view and side View dimension.
Diameter should be 6cm.
Height should be 6.05cm.
Length should be 8cm.
- As Per attached Figure (d) clamp side view Dimension.
Height should be 6.05cm.
Height should be 6.05cm.
Width should be 3 cm.
Thickness of the clamp should be 3mm.
- Kindly take all the dimensions of the densitometry schematic diagram Figure (e &f).
- Height of the densitometry set up should be 2m.
- Column height should be 1.6 m. figure (g)
- Port height should be 50 cm.
- Distance between two ports 8 cm.
- Port on plane should be 4.

Note: - All dimension are final and net. No alteration and modifications in dimensions are allowed without consulting us.

Experts and technicians should be present at the site during the installation.

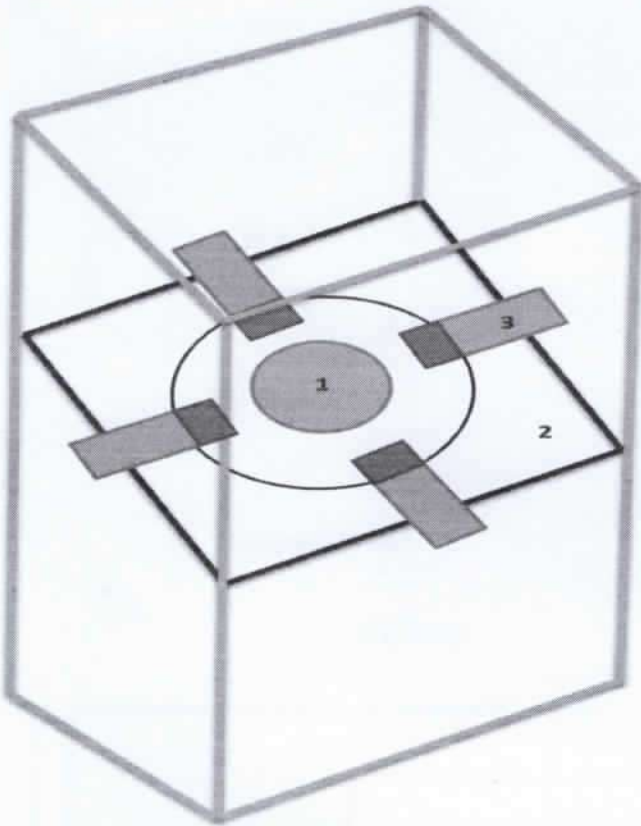


Figure (a)

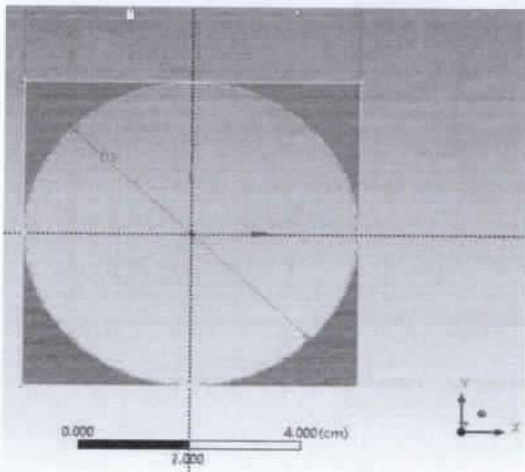
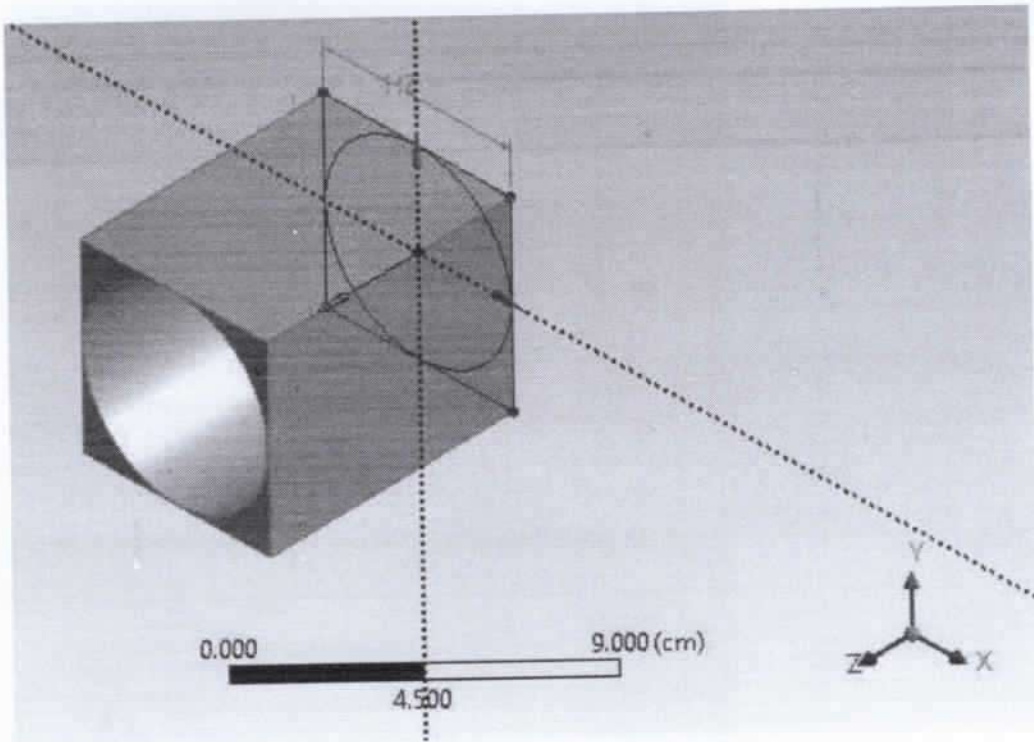


Figure (b)



Figure(c)

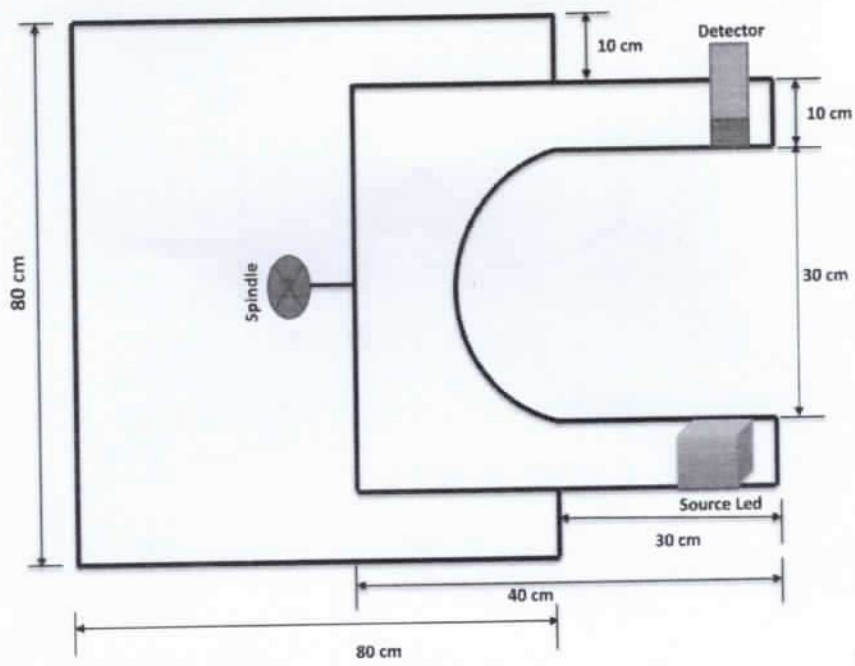


Figure (d)

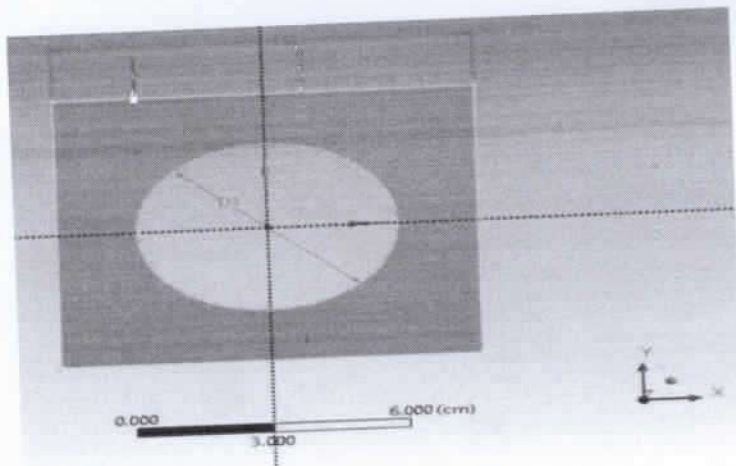


Figure (e)

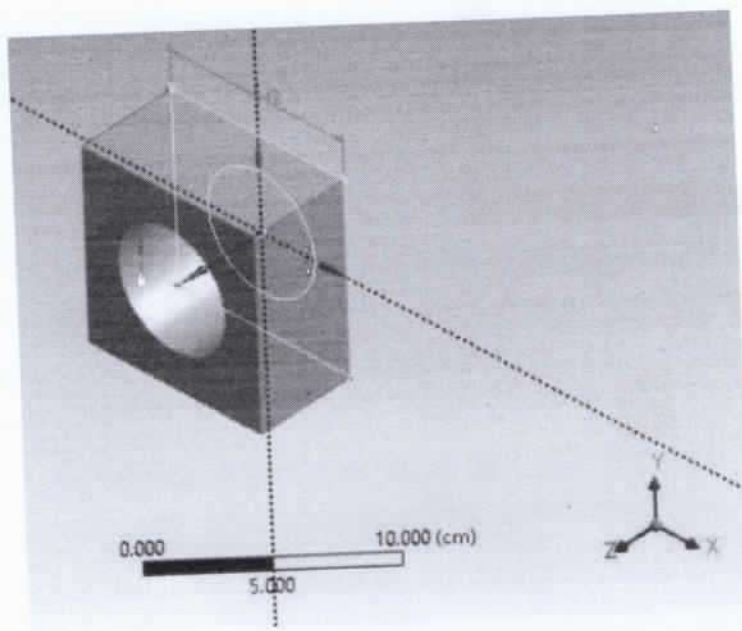


Figure (f)

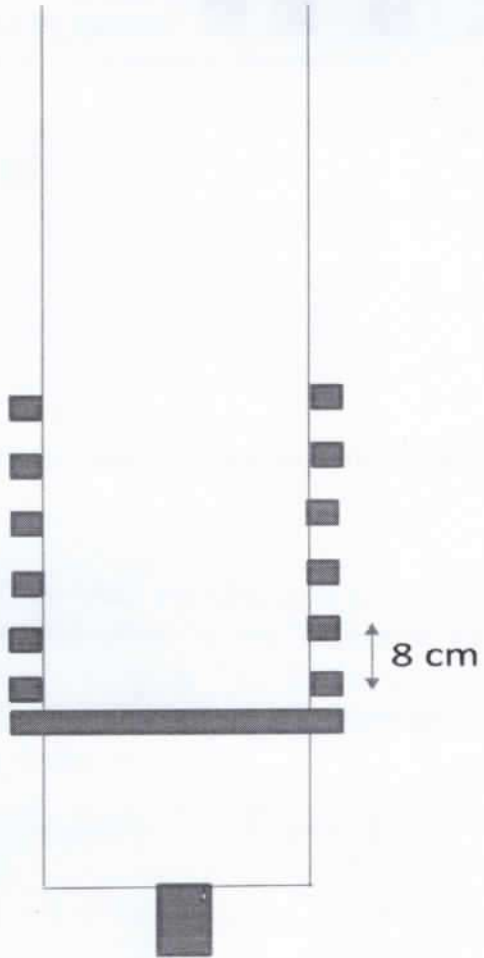
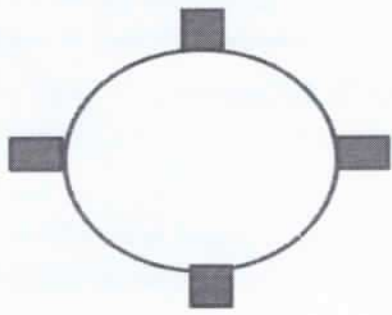


Figure (g)